

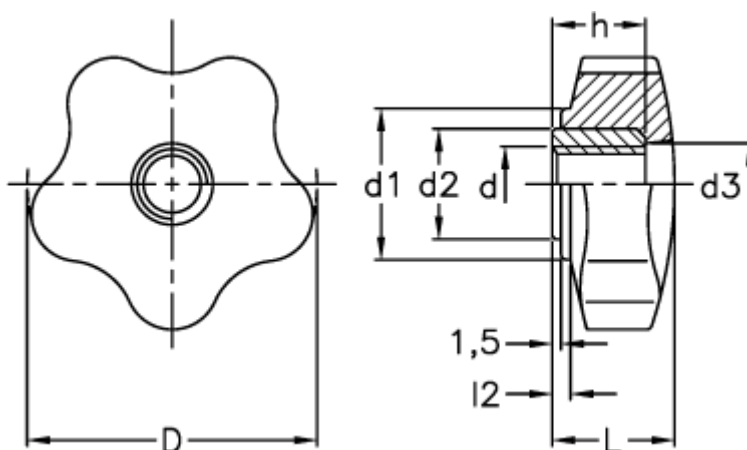
Data Sheet



Article number: 2302067101

Description: E+G Lobe knob (shortened)
VC.253/50 A-M12

Measures



| | |
|------|-------|
| D | = 50 |
| d1 | = 26 |
| d2 | = 19 |
| d3 | = 14 |
| d 6H | = M12 |
| h | = 16 |
| L | = 21 |
| l2 | = 3 |